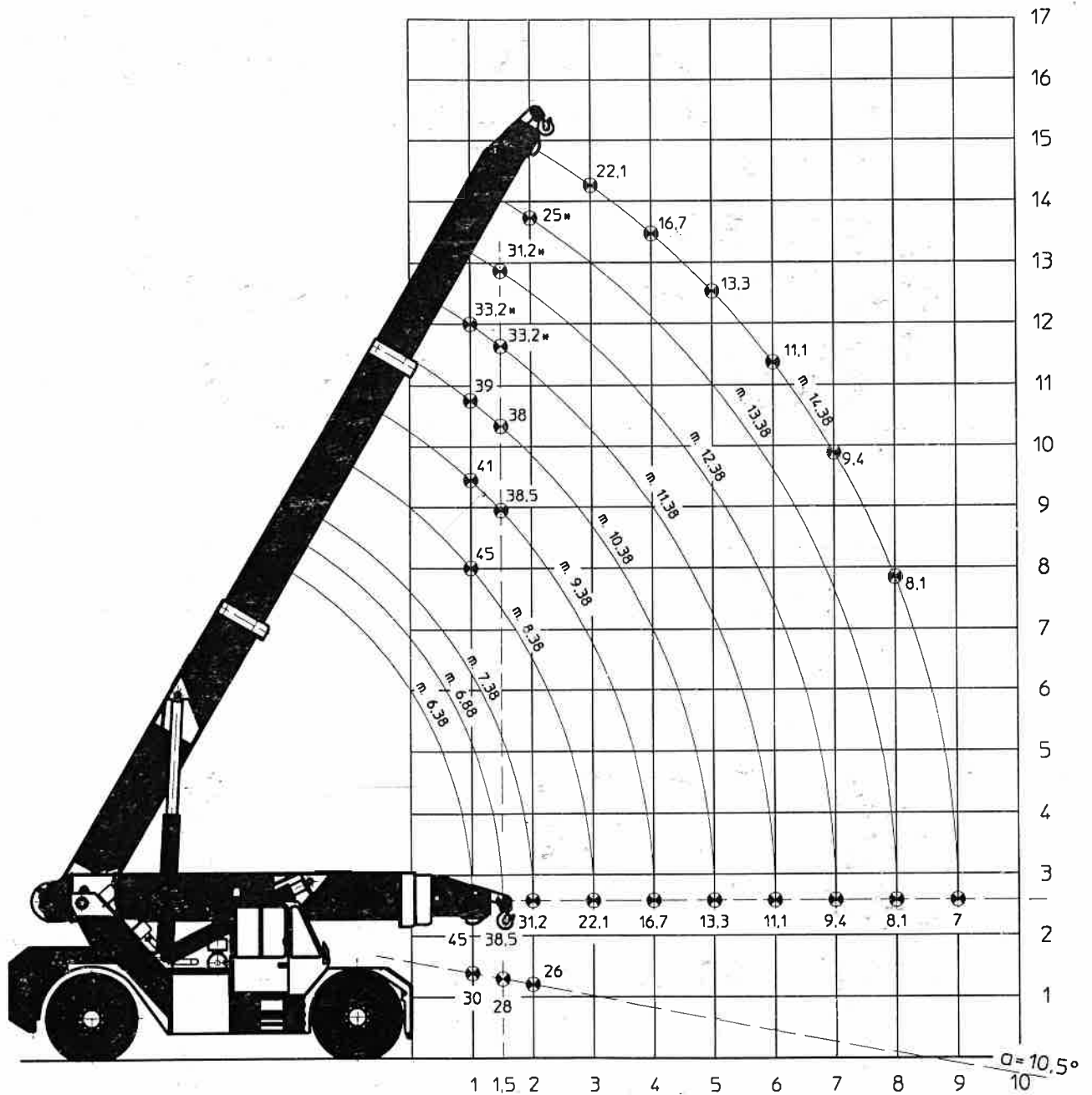


Din 15019.2

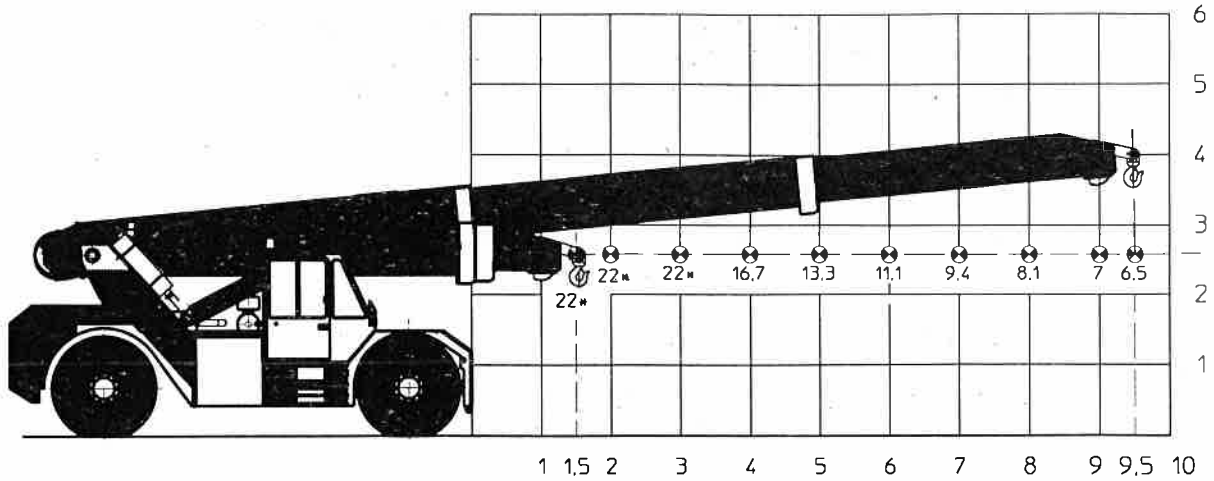
TABELLA PORTATA DI SOLLEVAMENTO (TON) - CONTRAPPESO SUPPLEMENTARE
 LIFTING CAPACITY CHART (TONNES) - CRANE WITH AUXILIARY COUNTERWEIGHT
 TABLEAU DE CHARGES (TONNES) - CONTREPOIDS SUPPLEMENTAIRE



* Portate limitate da fattori diversi dal ribaltamento
 * Capacities determined by factors other than tipping load
 * Charges déterminées par des facteurs autres que le basculement

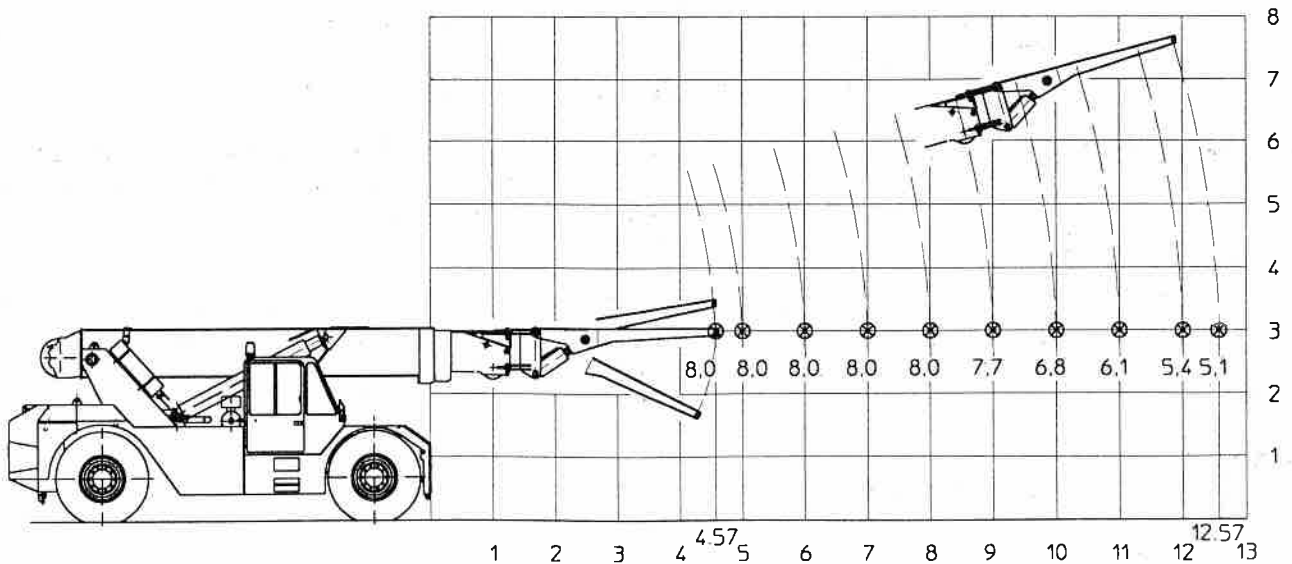
Din 15019.2

TABELLA PORTATA DI SOLLEVAMENTO CON GANCIO FISSO (TON) - CONTRAPPESO SUPPLEMENTARE
 LIFTING CAPACITY CHART WITH FIX HOOK (TONNES) - CRANE WITH AUXILIARY COUNTERWEIGHT
 TABLEAU DE CHARGES AVEC CROCHET FIXE (TONNES) - CONTREPOIDS SUPPLEMENTAIRE



Din 15019.2

TABELLA PORTATA JIB A MOVIMENTAZIONE IDRAULICA (TON) - CONTRAPPESO SUPPLEMENTARE
 HYDRAULIC MOTION FLY - JIB LIFTING CAPACITY CHART (TONNES) - CRANE WITH AUXILIARY COUNTERWEIGHT
 TABLEAU DE CHARGES POUR FLECHETTE HYDRAULIQUE (TONNES) - CONTREPOIDS SUPPLEMENTAIRE



* Portate limitate da fattori diversi dal ribaltamento
 * Capacities determined by factors other than tipping load
 * Charges déterminées par des facteurs autres que le basculement